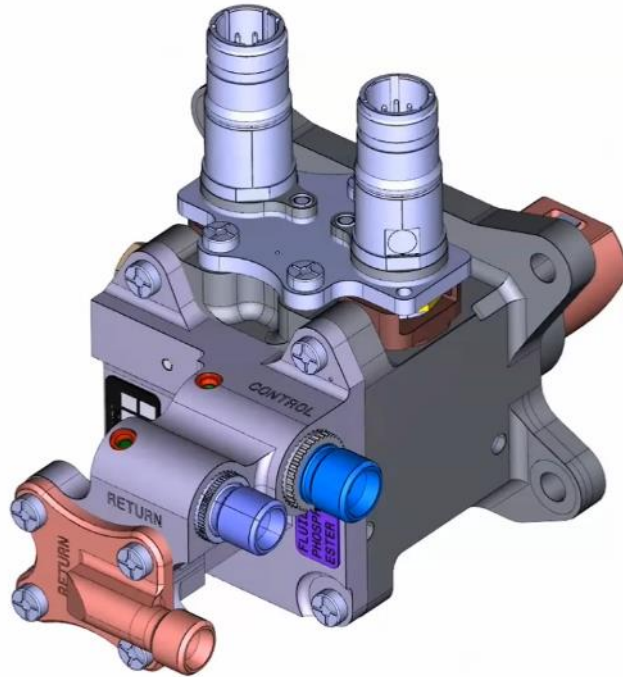


# Paperless Factory - Visual work instruction

Work instruction is to refer and explain process steps involved :

- Standard document for any process
- Training of operator for new or existing process
- Standardization of processes across plant or organization



## BILL OF MATERIAL

## 3D MODEL

The screenshot displays a software interface for a 3D model of a mechanical assembly. On the left, a 'Bill of Materials' list is visible, with a red arrow pointing to the top of the list. The list includes various components such as 'Band (Box)', 'Cartridge base', and 'Wedge Pack Seal'. In the center, a 3D model of the assembly is shown, with a red arrow pointing to the top of the model. The model includes labels like 'TORQUE 4.8 NM' and 'HIT-CAPP'. At the bottom, a 'LIST OF VARIANTS' section is visible, with a red arrow pointing to the top of the list. The list includes steps like 'TRACK LOCK LH'. On the right, a 'STEPS' section is visible, with a red arrow pointing to the top of the list. The list includes steps like 'Step 114 of 163', 'Step 114', 'Step 115', 'Step 116', 'Step 117', 'Step 118', and 'Step 119'. The interface also features navigation buttons like 'First Step', 'Next Step', 'Play All Steps', 'Rewind All Steps', 'Previous Step', and 'Last Step'. At the bottom right, it says 'Adobe Acrobat Reader 8.1 Required'.

## LIST OF VARIANTS

## STEPS

## Value added

- Enhance worker quality – 20% Reduction in rework & scrap
- Reduce training hours for new and temporary workers
- Virtual display boards in workplace