



- (51) International Patent Classification:
A61B 17/072 (2006.01)
- (21) International Application Number:
PCT/US2012/049343
- (22) International Filing Date:
2 August 2012 (02.08.2012)
- (25) Filing Language: English
- (26) Publication Language: English
- (30) Priority Data:
61/521,070 8 August 2011 (08.08.2011) US
13/546,974 11 July 2012 (11.07.2012) US
- (71) Applicant (for all designated States except US): **COVIDIEN LP** [US/US]; 15 Hampshire Street, Mansfield, MA 02048 (US).
- (72) Inventors; and
- (75) Inventors/Applicants (for US only): **DHAKAD, Harshotam, Singh** [IN/IN]; 6-Samradhi Mansion, Bhodapur, Gwalior, Madhya Pradesh 474012 (IN). **AGARWAL, Manoj, Kumar** [IN/IN]; Old Lowadih, Purulia Road, Ranchi, Jharkhand 834010 (IN). **KATRE, Nikhil, R.** [IN/IN]; 3, Rasraj, Plot No. RM-68, Sudama Nagar, M.I.D.C. Residential Zone, Dombivli (East), Thane, Maharashtra 421203 (IN). **GARIKIPATI, Kiran** [IN/IN]; 180, Sita Puram Cololy, Poranki, Vijayawada, Andhra Pradesh 521137 (IN). **VARGHESE, Cinish, P.** [IN/IN]; Puthiyedathu House, 200-Acre, Millumpady, Mannamkandam P.O., Adimaly, Idukki District Kerala 685561 (IN). **GUPTA, Arvind, Kumar** [IN/IN]; Kishunipuram, Janari, Ballia, Uttar-Pradesh 277001 (IN). **VIVEKANANDAN,**

Vinayan [IN/IN]; Mini Cottage, Swathinagar, Kallekulangara P.O, Palakkad, Kerala 678009 (IN).

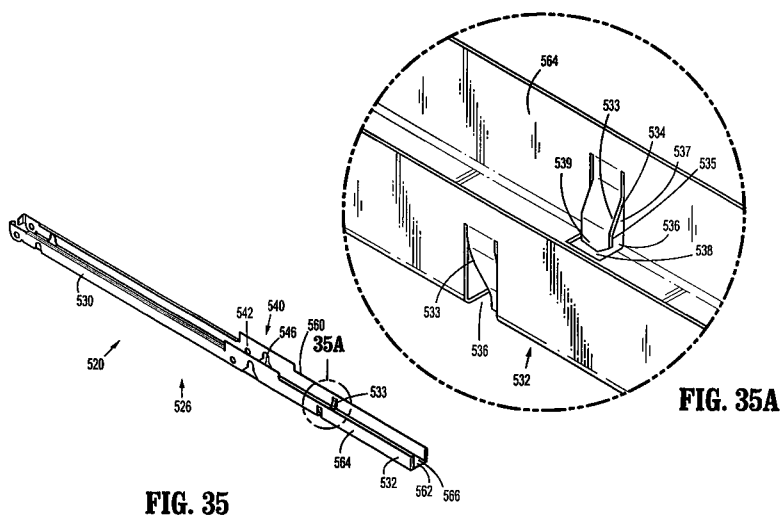
(74) Agents: **COVIDIEN LP** et al.; 555 Long Wharf Drive, Mail Stop 8-N1, Legal Department, New Haven, CT 06511 (US).

(81) Designated States (unless otherwise indicated, for every kind of national protection available): AE, AG, AL, AM, AO, AT, AU, AZ, BA, BB, BG, BH, BN, BR, BW, BY, BZ, CA, CH, CL, CN, CO, CR, CU, CZ, DE, DK, DM, DO, DZ, EC, EE, EG, ES, FI, GB, GD, GE, GH, GM, GT, HN, HR, HU, ID, IL, IN, IS, JP, KE, KG, KM, KN, KP, KR, KZ, LA, LC, LK, LR, LS, LT, LU, LY, MA, MD, ME, MG, MK, MN, MW, MX, MY, MZ, NA, NG, NI, NO, NZ, OM, PE, PG, PH, PL, PT, QA, RO, RS, RU, RW, SC, SD, SE, SG, SK, SL, SM, ST, SV, SY, TH, TJ, TM, TN, TR, TT, TZ, UA, UG, US, UZ, VC, VN, ZA, ZM, ZW.

(84) Designated States (unless otherwise indicated, for every kind of regional protection available): ARIPO (BW, GH, GM, KE, LR, LS, MW, MZ, NA, RW, SD, SL, SZ, TZ, UG, ZM, ZW), Eurasian (AM, AZ, BY, KG, KZ, RU, TJ, TM), European (AL, AT, BE, BG, CH, CY, CZ, DE, DK, EE, ES, FI, FR, GB, GR, HR, HU, IE, IS, IT, LT, LU, LV, MC, MK, MT, NL, NO, PL, PT, RO, RS, SE, SI, SK, SM, TR), OAPI (BF, BJ, CF, CG, CI, CM, GA, GN, GQ, GW, ML, MR, NE, SN, TD, TG).

Published:
— with international search report (Art. 21(3))

(54) Title: SURGICAL FASTENER APPLYING APPARATUS



(57) Abstract: A surgical fastener applying apparatus for applying fasteners to body tissue including a cartridge receiving half-section defining an elongated channel member configured to releasably receive a stationary housing of a firing assembly. The stationary housing is dimensioned to releasably receive a single use loading unit therein, and includes a lockout structure that prevents insertion of the stationary housing into the cartridge receiving half-section if the single use loading unit is not mounted in the stationary housing.

WO 2013/022703 A1